

## CMCP512D Programmable LED Display with Relay Outputs



### Features:

- Programmable LED Display
- Daylight Visible
- 4-20mA Input
- Two Independent Relay Outputs
- Front Panel Alarm Indicators
- Latching or Non-Latching Alarms
- Local Alarm Reset Button
- 4-20mA Retransmit Output
- NEMA 4X, IP68 Polycarbonate Enclosure
- UV and Corrosion Resistant

### Typical Applications

Local Display for Vibration, Temperature, Pressure, Position or any 4-20mA Output Sensor where a Local Indication or Relay Alarm Outputs are Required.

### Technical Performance

Power:	18-28VDC (24V Nominal)
Power Consumption:	50mA Max
Signal Input:	4-20mA
Range:	Programmable from 0000 to 9999 with Decimal Placement
Accuracy:	0.1% of Full Scale
Display Type:	10mm (0.4") 4 Digit LED
Response Time:	20ms Typical
Relay Output:	Two SPDT Rated 5 Amps @ 250VAC
Relay State:	Latching or Non- Latching Selectable
Time Delay:	0 to 99 Seconds
Alarm Indication:	Front Panel LED Indicators
Alarm Reset:	Front Panel Push Button and Contacts for Remote Reset
Signal Output:	4-20mA Retransmit
Over Range:	Flashing Display
Not OK:	Fail Low (<4mA)

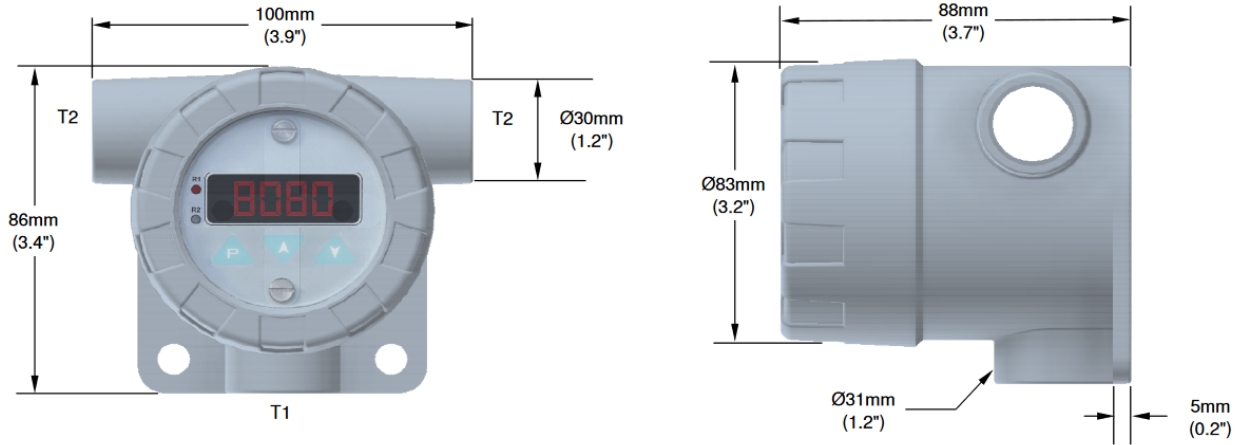
### Environmental

Operating Temperature Range:	-22 to 160°F (-40 to +71°C)
Sealing:	IP68

### Mechanical

Enclosure Material:	UV Resistant Polycarbonate
Cover:	Removable Lid with Clear Window
Sealing:	BUNA O-Ring
Conduit Entries:	Two 1/2" NPT Entries
Mounting:	Two 0.32" Mounting Holes
Weight:	7 Oz (198g)

## Dimensions



## Ordering Information:

CMCP512 Programmable LED Display with Relay Outputs

## Similar Products:



**CMCP512XP**  
Explosionproof Programmable Display



**CMCP510**  
4-20mA Input Panel Meter